


Version	2.0	Date	8/11/22
Prepared By	JC		

PRODUCT SPECIFICATION			
Category	Slim Wall Pack		
Item Number	9589		
Stock Code	FXSWP45SW/8CCT3/BZ/347-PHO		
Mounting	Wall Mount		
Housing Color	Bronze		
PICTURE			

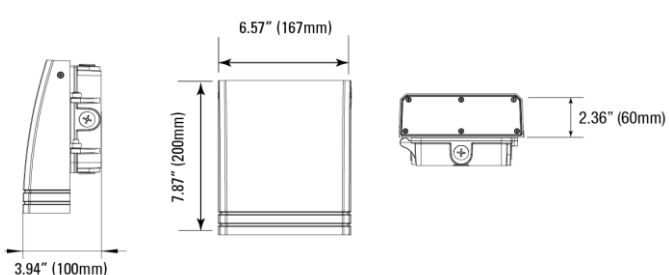
ELECTRICAL CHARACTERISTICS			
Rated Wattage (W)	15 / 28 / 45	Replacement Wattage (W)	100-250
Tested Wattage (W)	15 / 28 / 45		
Input Voltage (V)	120-347V	Surge Protect Level	4KV
Voltage Frequency (Hz)	50/60	Dimmable	0-10V
Input Current (A)	0.41	AUX (12V) Line	-
Power Factor	>0.9	Photocell	Included

PHOTOMETRIC CHARACTERISTICS			
Lumen (lm)	1,800 3,360 5,400	CCT (K)	3CCT (30/40/50K)
Efficacy (lm/w)	120	Beam Angle (°)	140°
CRI	>80		

GENERAL CHARACTERISTICS	
Operating Temperature (°F)	-22°F ~ 122°F
Storage Temperature (°F)	-40°F ~ 158°F
IP Rating	IP65
Rated Life (Hrs)	50,000
Warranty (Yrs)	5

ACCESSORIES		
Item #	Stock Code	Description
P10254	MT-KNC-SWP/BZ	3/4" NPT Knuckle Mount for SWP - Bronze
P10255	MT-SF-SWP/BZ	Slip Fitter Mount for SWP - Bronze
P10253	MT-SB-SWP/BZ	Swivel Bracket for SWP - Bronze

PRODUCT DIMENSIONS		
Width- in / (mm)	6.57	167
Height- in / (mm)	7.87	200
Depth- in / (mm)	3.94	100
EPA (ft²)	-	-
Weight (lbs)	4.4	-
Mounting Height (ft)	-	-
Cable Length (ft)	-	-



CERTIFICATIONS			
UL/ETL	ETL/cETL	CEC	
NSF/ETL Sanitation		JA8	
Energy Star		FCC	✓
DLC	5.1 Premium	RoHs	✓

DOCUMENTS			
LM79	✓	IES File	✓
LM80	✓	Dimmer List	

COMMENTS